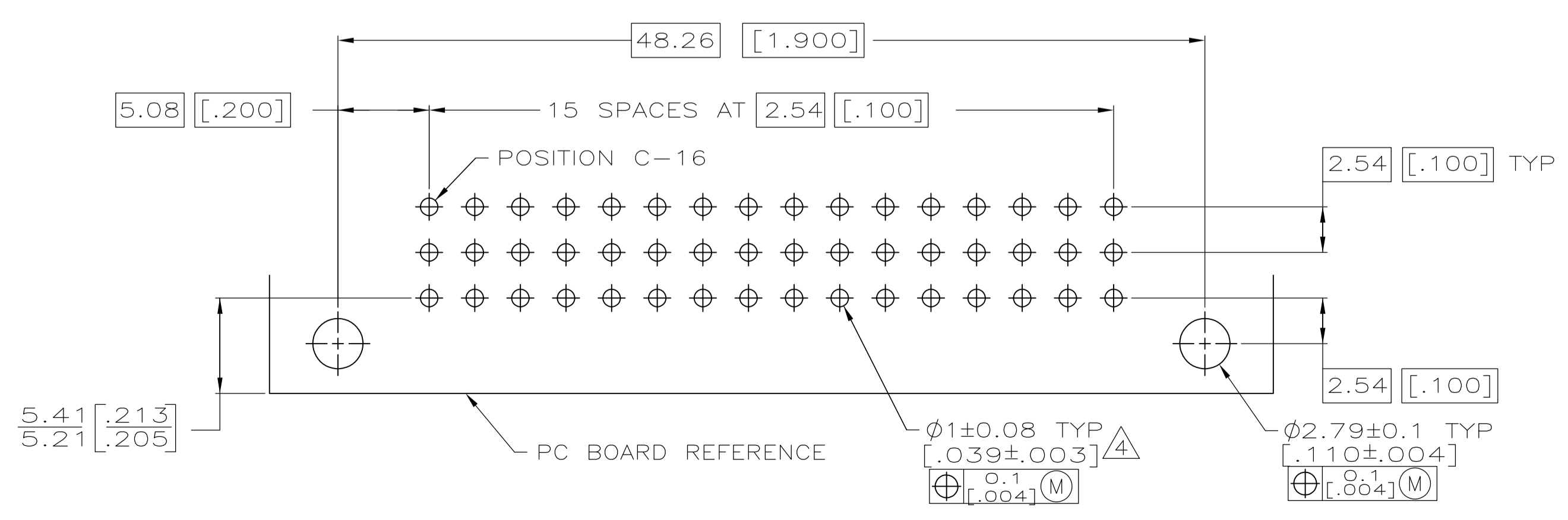
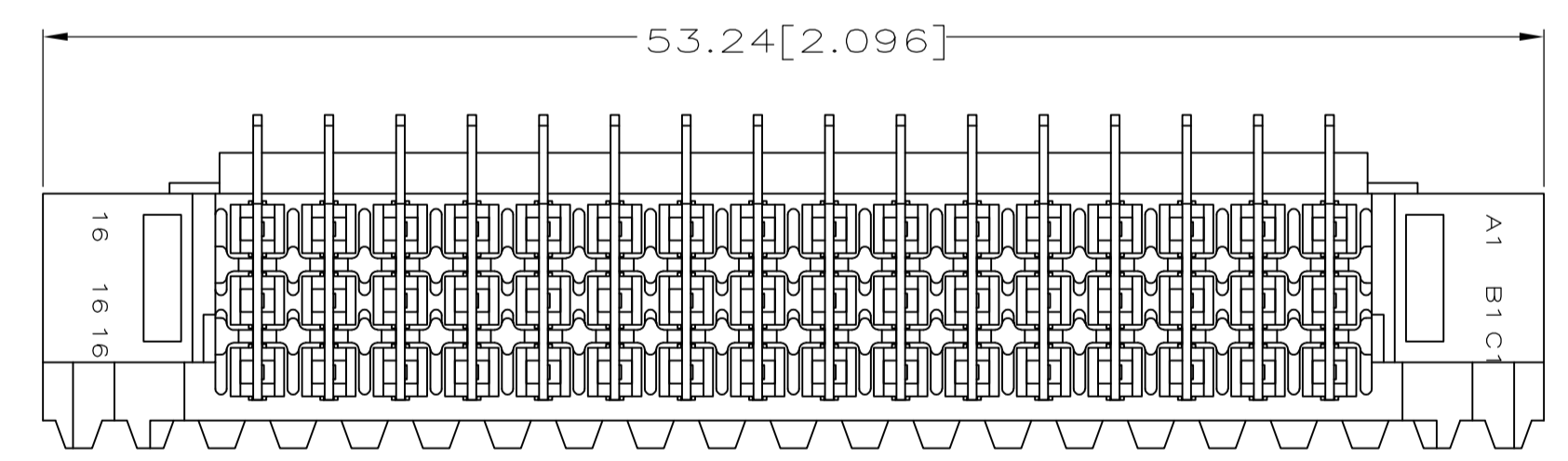
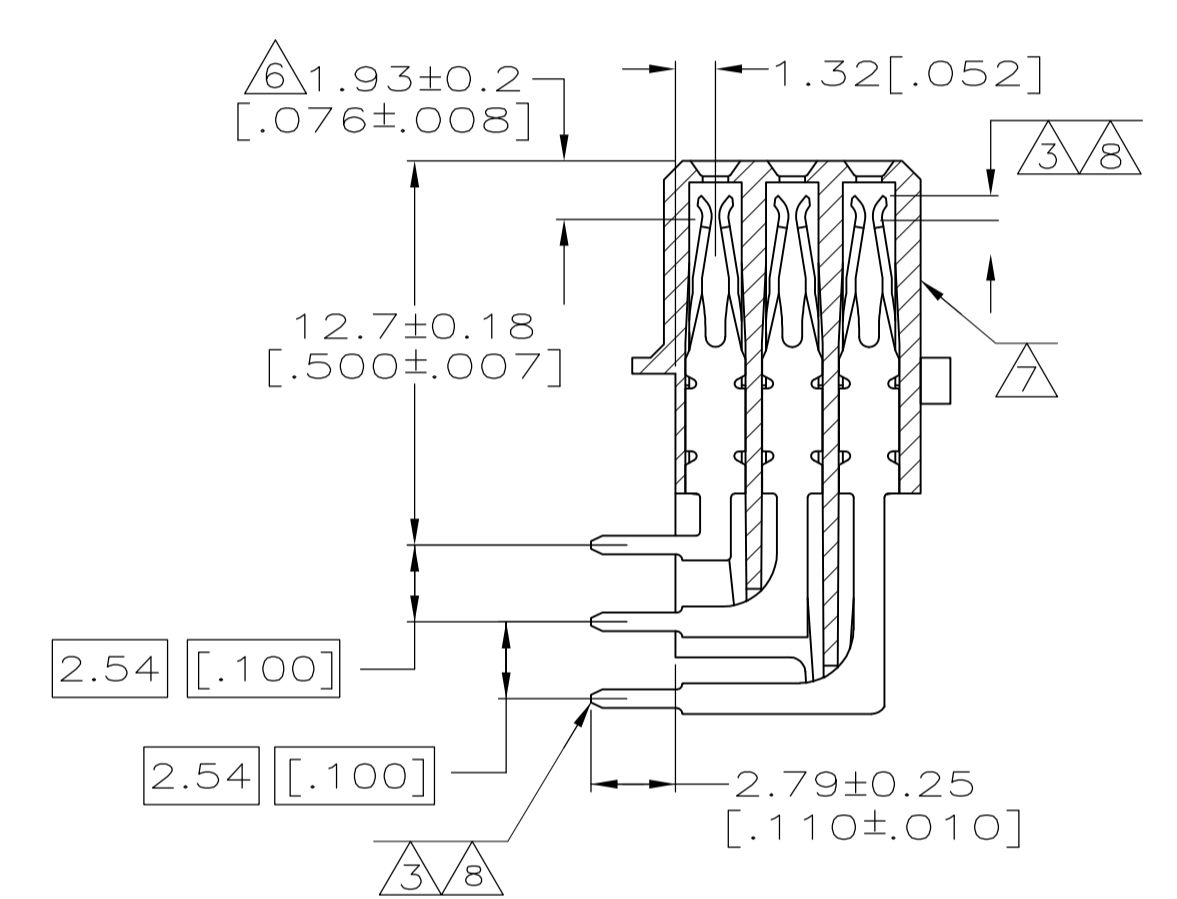
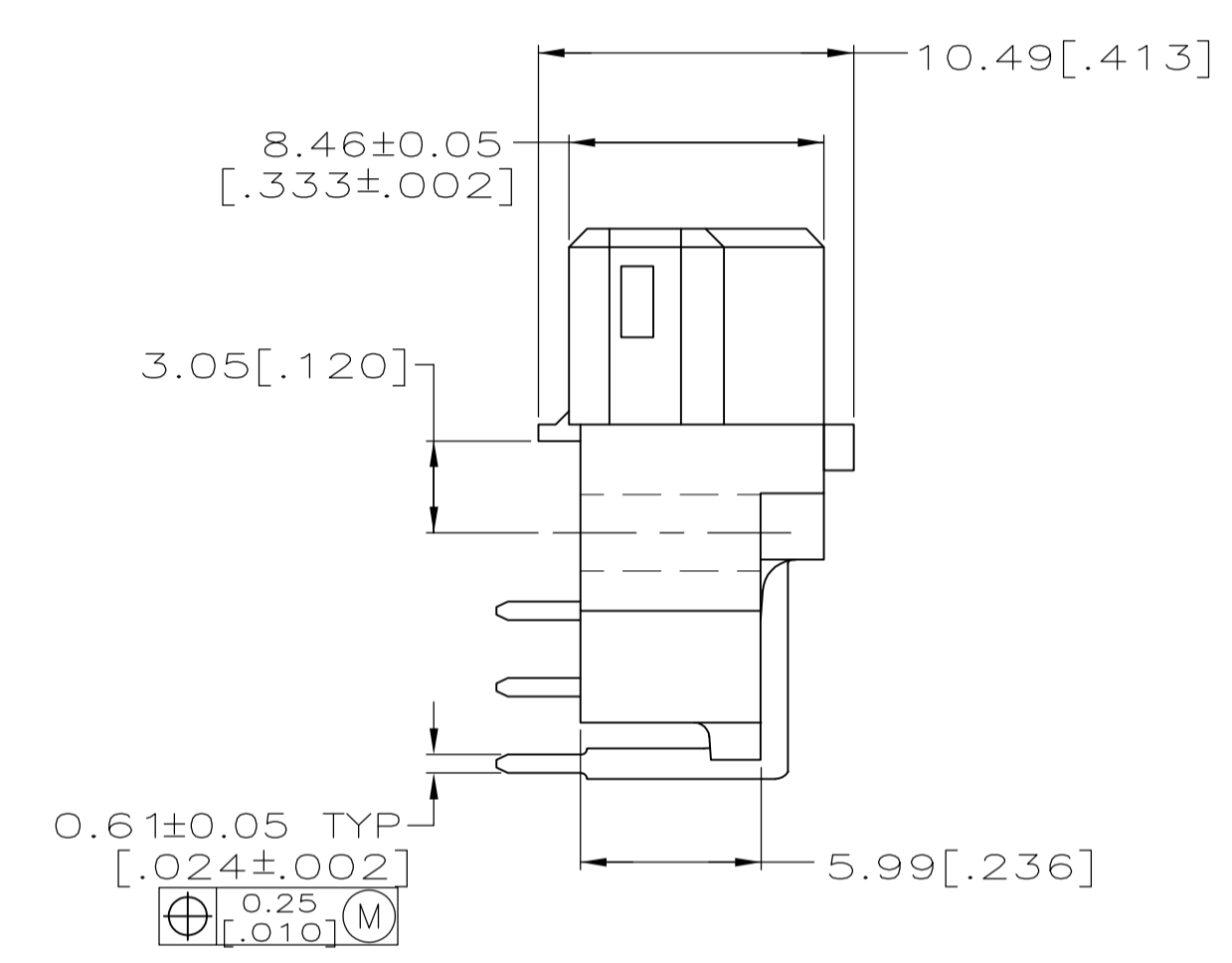
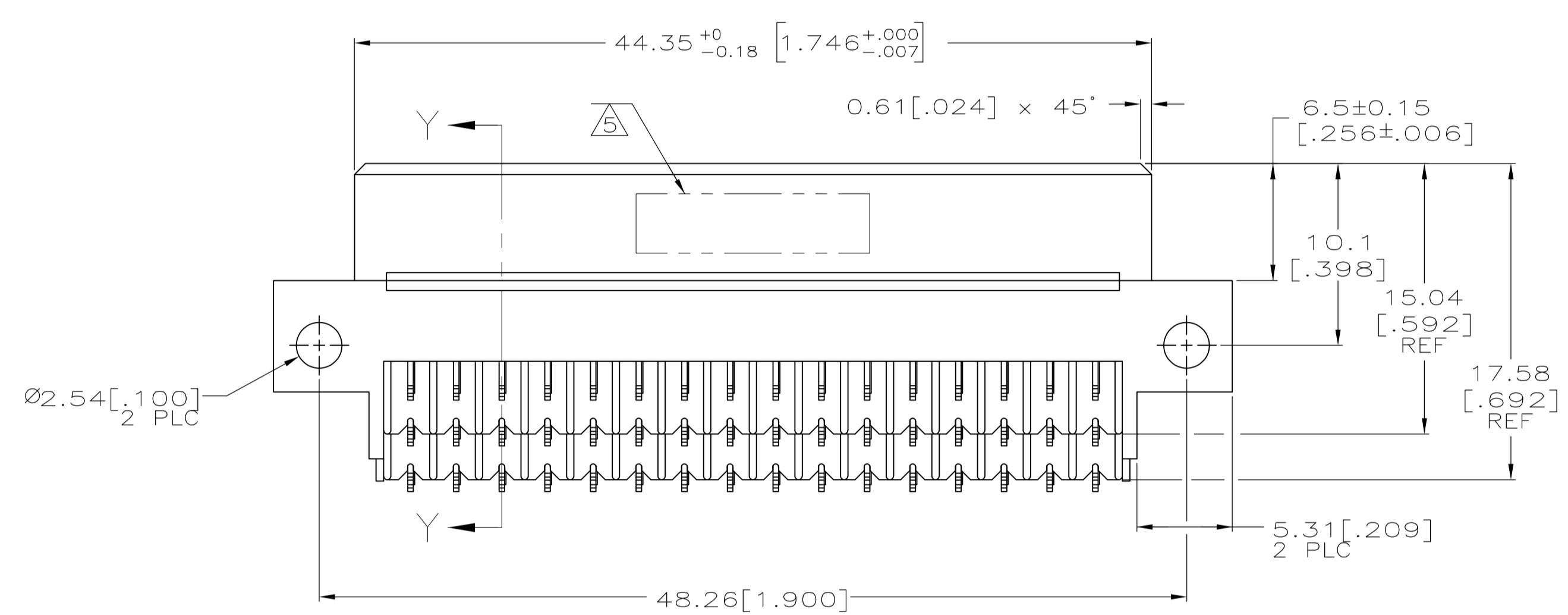


- 1 HOUSING MATERIAL: GLASS-FILLED POLYMER.
- 2 CONTACT MATERIAL: COPPER ALLOY.
- 3 CONTACT FINISH: DIN 41612 CLASS 2 IN CONTACT AREA. TIN PLATE ON POSTS.
- 4 RECOMMENDED HOLE SIZE FOR MANUAL APPLICATION OF CONNECTOR ONTO PC BOARD.
- 5 PART NUMBER, DATE CODE IDENTIFICATION, CSA LOGO, THIS APPROXIMATE AREA.
- 6 CONTACT POINT.
- 7 MARKING ON THIS SIDE.
- 8 CONTACT FINISH: DIN 41612 CLASS 3 IN CONTACT AREA. TIN PLATE ON POSTS.
- 9 CONTACT FINISH: .000030 MIN GOLD IN CONTACT AREA. TIN PLATE ON POSTS.



NOTES	POSITIONS LOADED	C	B	A	NO. OF LOADED POSITION	ASSY PART NUMBER
1	1 THRU 16	X	X	X	48	5650868-9
2	1 THRU 16	X	X	X	48	5650868-6
3	1 THRU 16	X	X	X	48	5650868-5
4	1 THRU 16	X	X	X	48	5650868-4

THIS DRAWING IS A CONTROLLED DOCUMENT.

DIMENSIONS: mm [INCHES]	TOLERANCES UNLESS OTHERWISE SPECIFIED:	DIN J. POLIGNONE	03JUN05	 TE Connectivity
0 PLC ± -	1 PLC ± -	APVD A. SHARPE	03JUN05	
2 PLC ± -	3 PLC ± 0.1 [.005]	NAME	ASSEMBLY, RECEPTACLE, EUROCARD, TYPE 1/2R, LEAD-FREE, 48 POSITION	DRAWING NO. 00779 5650868
4 PLC ± -	ANGLES ± -	PRODUCT SPEC	2.79 [.110] SOLDER POSTS	
MATERIAL	FINISH	APPLICATION SPEC	SIZE	RESTRICTED TO
			A1	
		WEIGHT	SCALE	SHEET
			4:1	1 OF 1
		CUSTOMER DRAWING		REV
				R